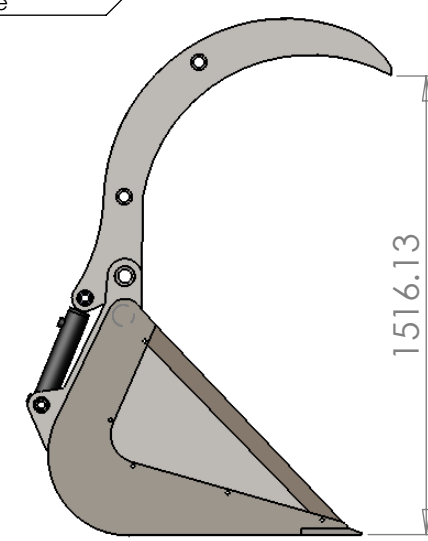
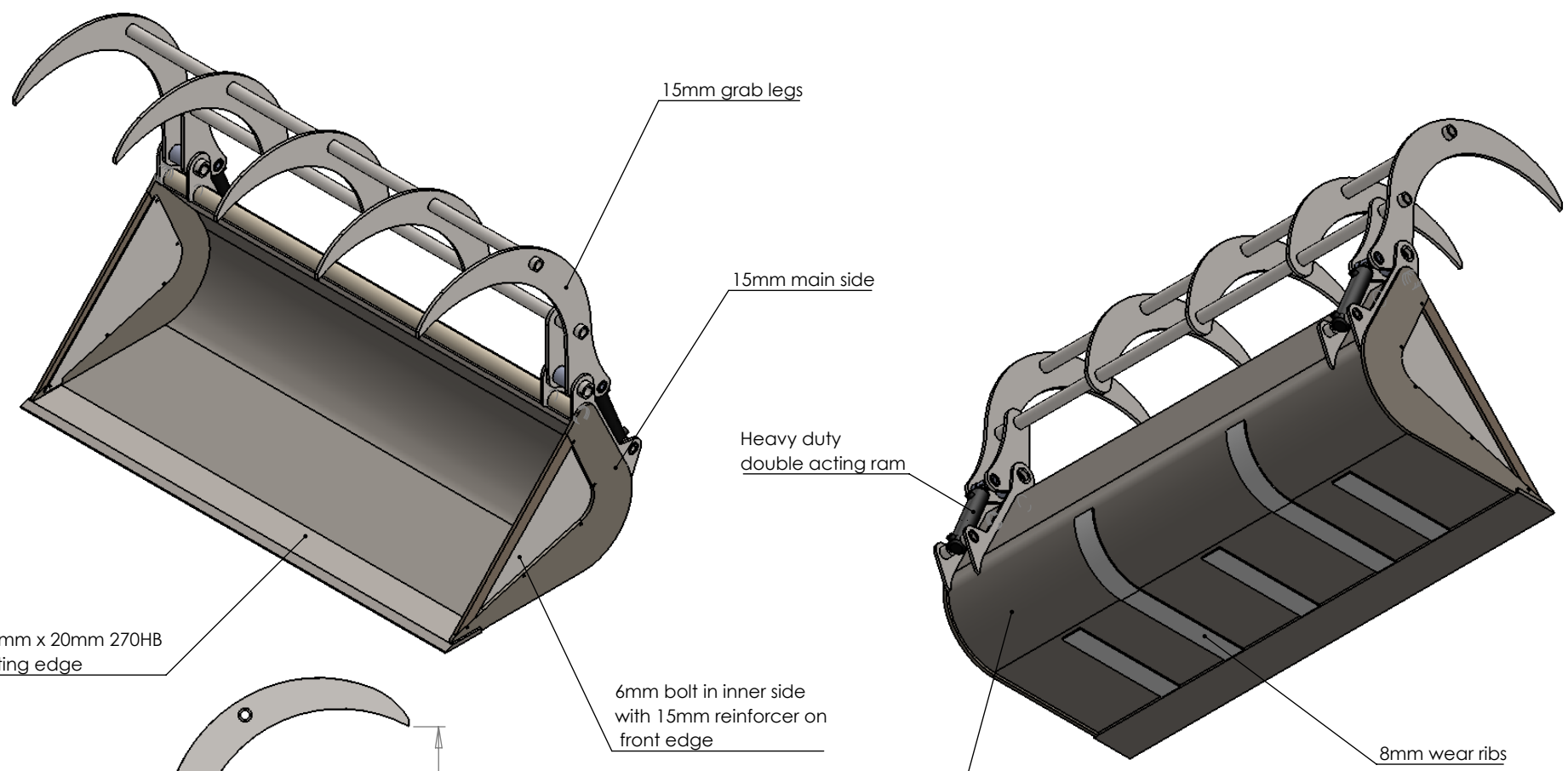


6 5 4 3 2 1

D
C
B
A

D
C
B
A



	NAME	SIGNATURE	DATE			
DRAWN	James Walker		30/10/2015			
CHK'D						
APPV'D						
MFG						
Q.A						
				WEIGHT:	620kg	

Abiljo Excavator Services Ltd	
TITLE: 92" 1m3 Multi-bucket	
DWG NO. SAO202-10MB92	A4
SCALE:1:50	SHEET 1 OF 1

6 5 4 3 2 1