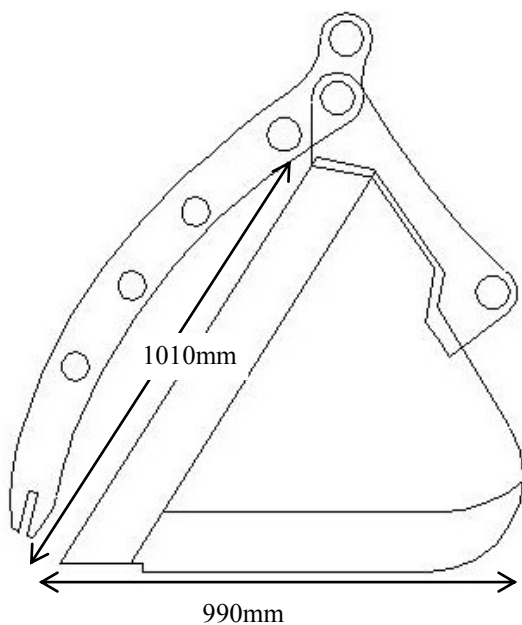




# Specifications

## Waste Clamp Buckets

Available for most makes and models of telehandler inc:  
 JCB 520,525,527,530,535 (compact tool carrier, tool carrier and Q/Fit carriages)  
 Merlo, Manitou, Sanderson, Matbro, Terex, Caterpillar, Duetz, Bobcat/MF,  
 Kramer and Claas



Part	Material
Side reinforcer	12mm
Side Plate	6mm
Lower side plate	10mm
Toe Plate	20mm x 200mm 280HB
Back Plate	6mm
Wear Ribs	8mm
Optional Bolt on Blade	200mm x 20mm 280HB

Available with a 1 piece full width clamp or twin independant clamps



Left: Twin clamp  
 Right single clamp



width	Capacity	Weight (single clamp)	Weight (twin Clamp)
78"	1.68	800kg	825kg
92"	1.98	920kg	945kg
96"	2.08	995kg	1035kg

**Capacities are in cubic metres SAE Heaped**