

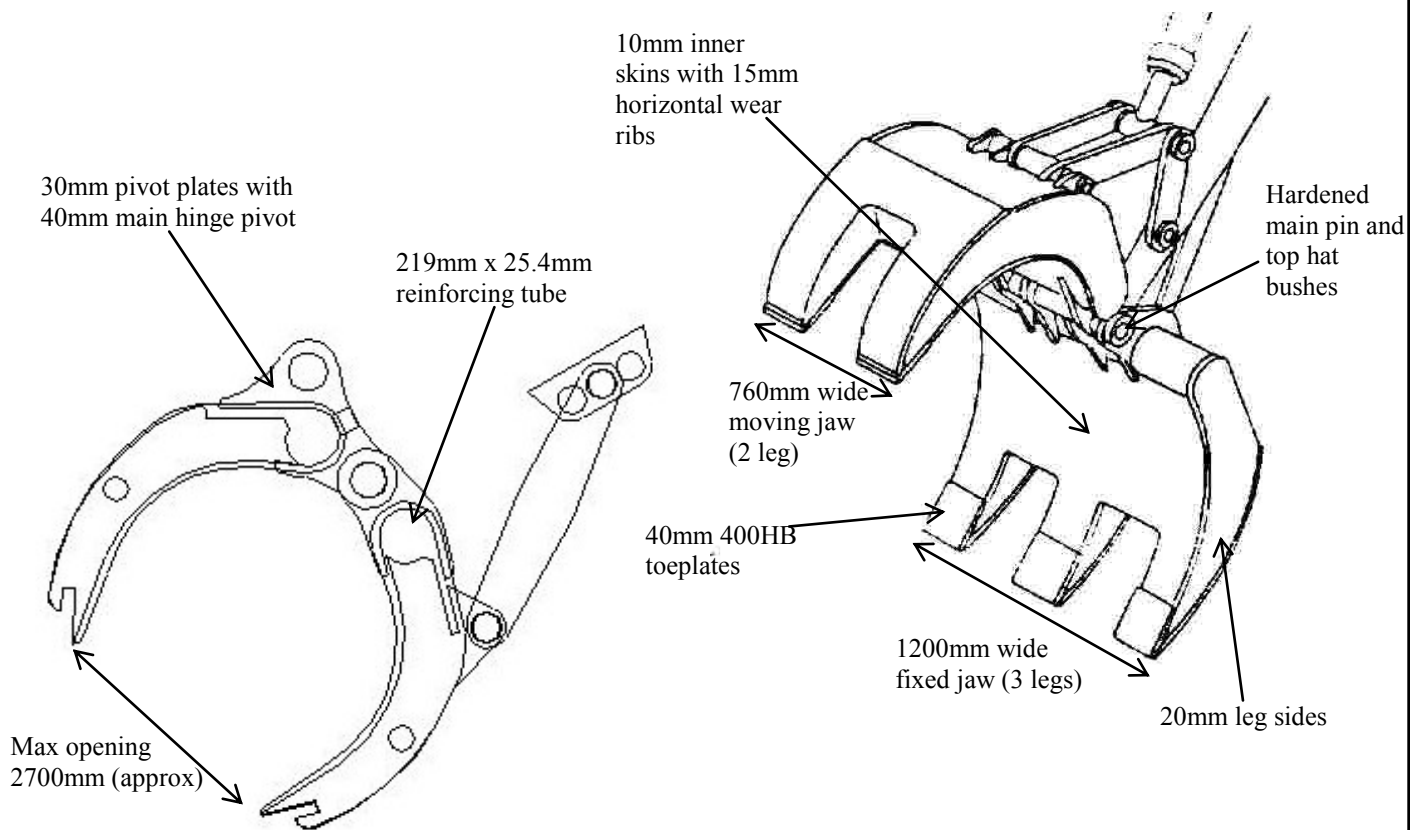


Specifications

20 to 27 ton Rock grapple (direct mount)

Rock specification grabs are designed for Heavy Duty Rock handling and placement

These grapples are mechanical and require no extra hydraulics, fitting requires a brace pad fitting on the underside of the dipper, to hold the fixed half of the grab in position, and the moving half is opened and closed using the standard tipping link.



The grapples hinges on the main dipper pin and comes complete with a longer hardened main pin.

The main hinge uses 2 hardened top hat bushes to hold the 2 halves together when the main pin is removed, and the hinge also has replace-able hardened insert bushes.



All grapples are built using S275 and S355 plate and 400HB material for toeplates and wear areas