



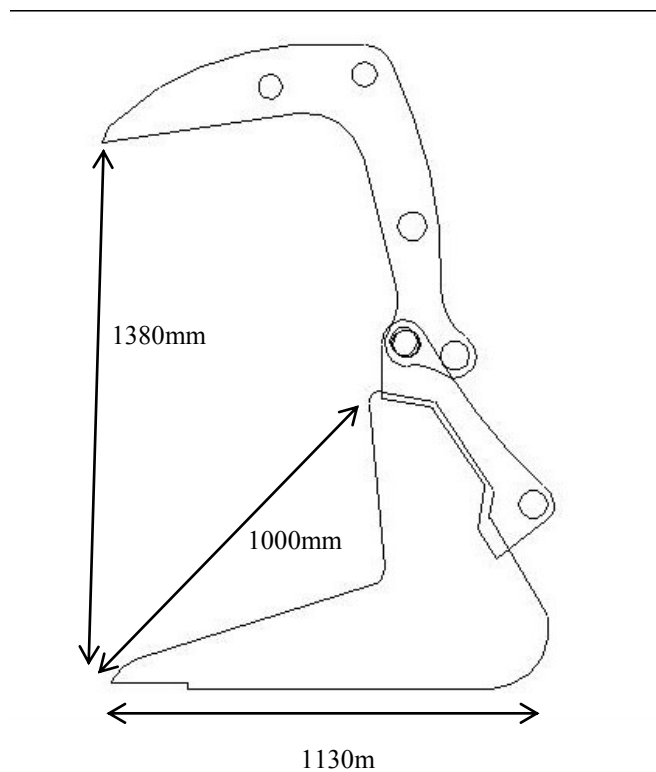
Specifications

Industrial/scrap grapples

Available for most makes and models of telehandler inc:
 JCB 520,525,527,530,535 (compact tool carrier, tool carrier and Q/Fit carriages)
 Merlo, Manitou, Sanderson, Matbro, Terex, Caterpillar, Duetz, Bobcat/MF,
 Kramer and Claas

Scrap Grapple

Part	Material
Side Plate	15mm
Toe Plate	20mm x 200mm 280HB
Back Plate	6mm
Wear Ribs	8mm
Optional bolt on blade	200mm x 20mm 280HB



width	capacity	Weight (1 piece clamp)	Weight (twin Clamp)
78"	1.00	690kg	705kg
92"	1.20	795kg	820kg
96"	1.35	840kg	865kg

Capacities are in cubic metres SAE Heaped