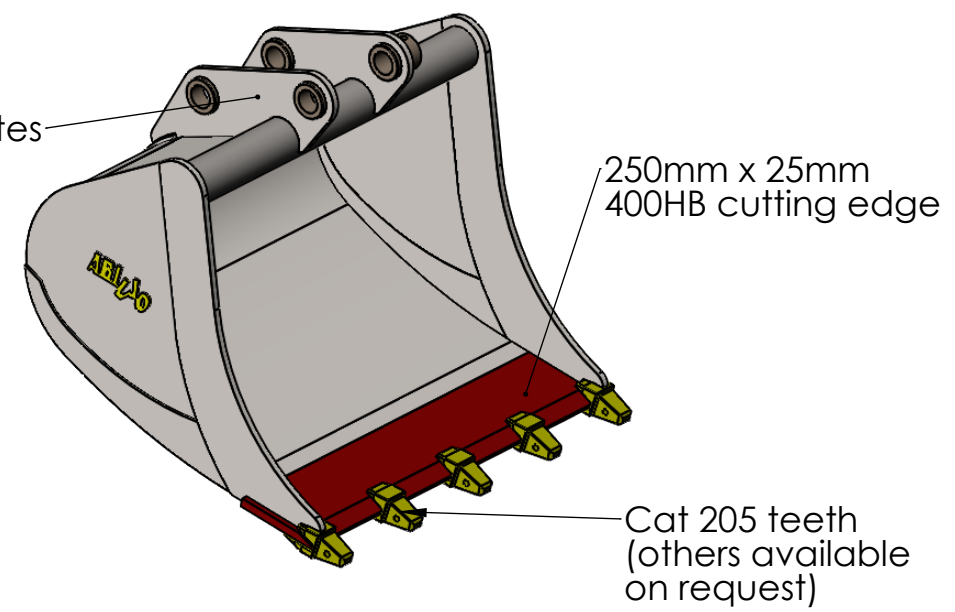
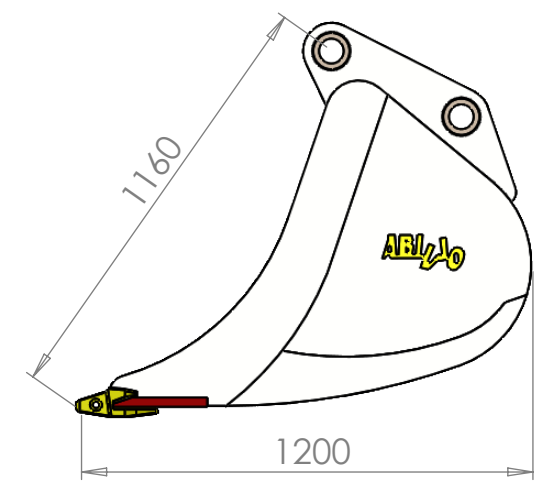
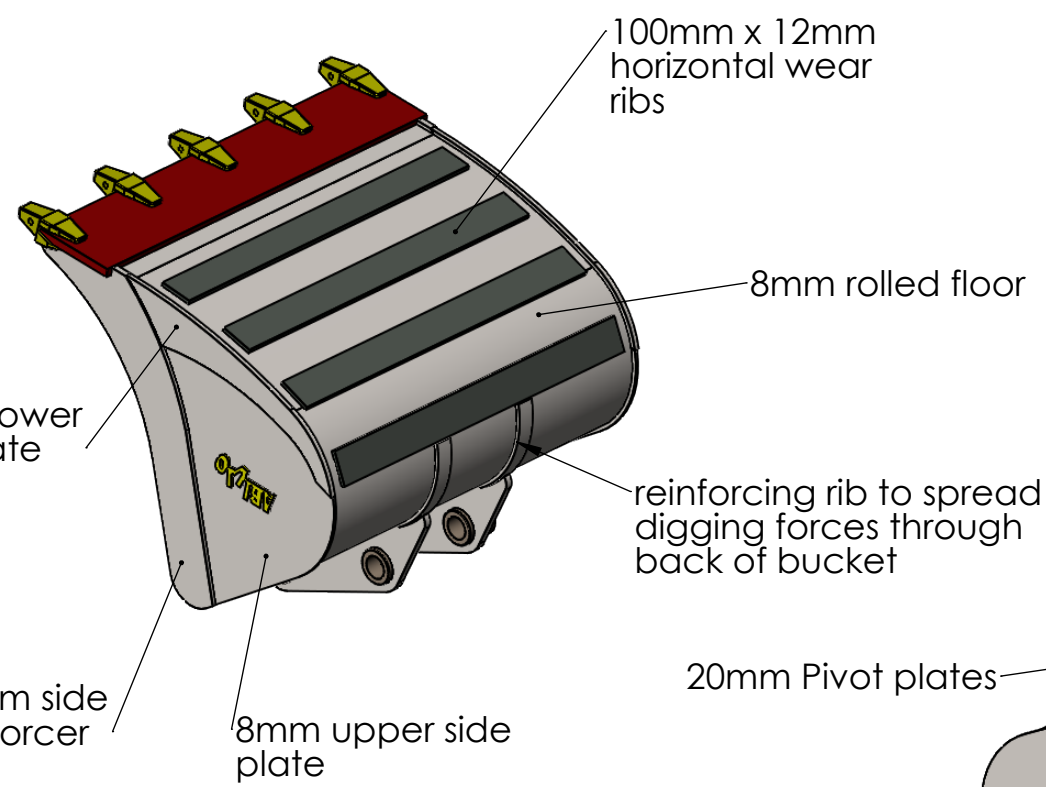


6 5 4 3 2 1

D
C
B
A

D
C
B
A



Part No	Width	Capacity	Weight
1713/12	12"/300mm	200ltr	220kg
1713/18	18"/450mm	290ltr	245kg
1713/24	24"/600mm	410ltr	289kg
1713/30	30"/750mm	530ltr	330kg
1713/36	36"/900mm	640ltr	370kg
1713/42	42"/1050mm	760ltr	395kg
1713/48	48"/1200mm	880ltr	455kg
1713/54	54"/1350mm	1010ltr	496kg



Unit 315 Fauld Ind. Est
Nr Tutbury
Burton on Trent
Staffordshire
DE13 9HS
Tel: 01283 815544

DEBURR AND
BREAK SHARP
EDGES

UNLESS OTHERWISE
SPECIFIED: DIMENSIONS
ARE IN MILLIMETERS

DO NOT SCALE DRAWING REVISION

MATERIAL:

NAME	DATE
James Walker	26/04/2018

DRAWN

TITLE: 10 to 15 ton digging bucket

WEIGHT:

DWG NO. 1713-asm

SCALE: 1:20

A4

SHEET 1 OF 2

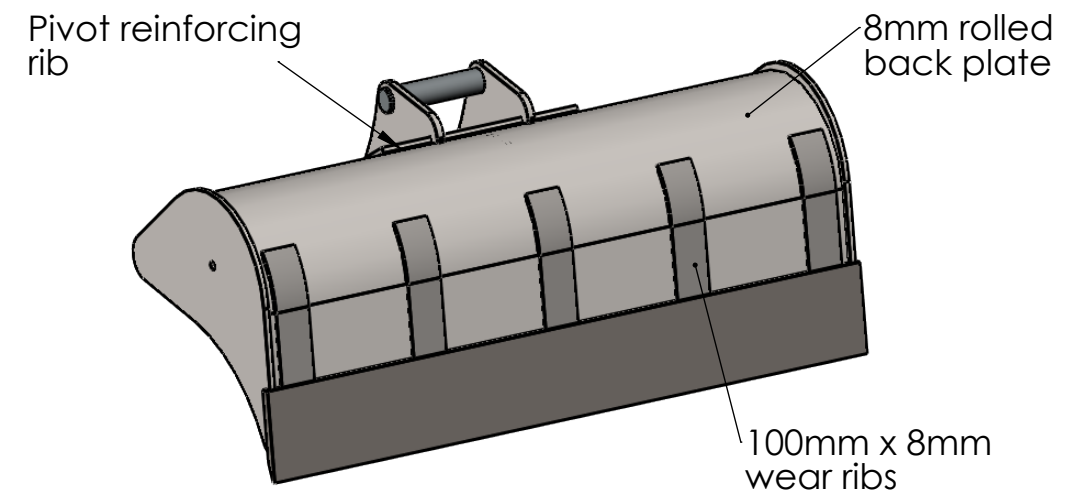
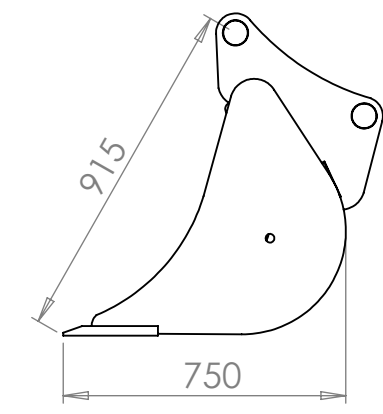
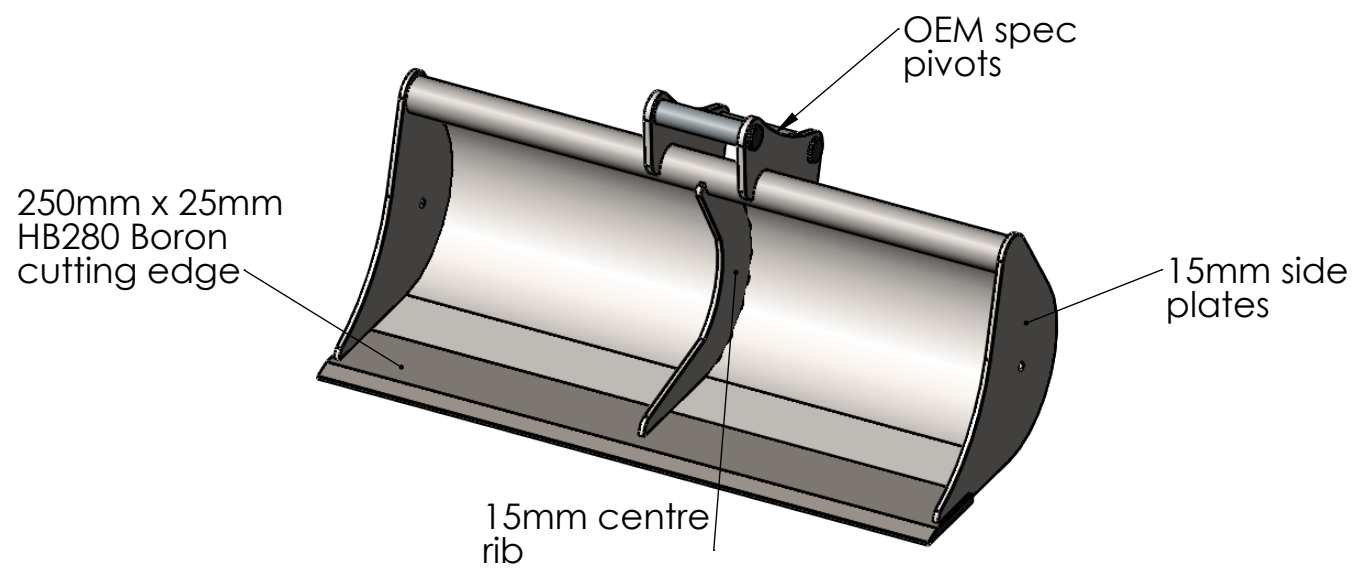
6 5 4 3 2 1

A

6 5 4 3 2 1

D
C
B
A

D
C
B
A



Part No:	Width	Capacity	Weight
184/60	60"/1500mm	570ltr	355kg
184/72	72"/1800mm	690ltr	405kg
184/84	84"/2100mm	800ltr	439kg



Unit 315 Fauld Ind. Est
Nr Tutbury
Burton on Trent
Staffordshire
DE13 9HS
Tel: 01283 815544

DEBURR AND BREAK SHARP EDGES		DO NOT SCALE DRAWING		REVISION	
MATERIAL:					
UNLESS OTHERWISE SPECIFIED: DIMENSIONS ARE IN MILLIMETERS		NAME	DATE		
DRAWN	James Walker	26/04/2018			

TITLE: Grading buckets for 11 to 15 ton excavators	DWG NO. SAO184	A4
WEIGHT:	Scale: 1:20	SHEET 2 OF 2

6 5 4 3 2 1