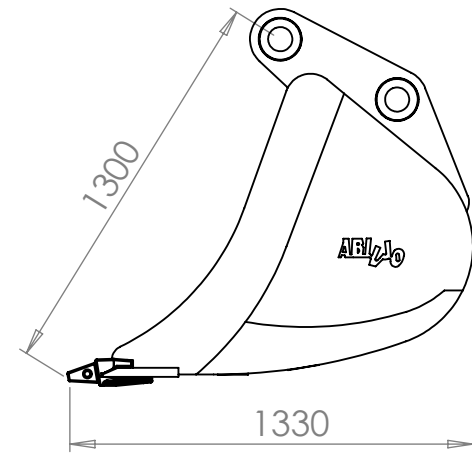


6 5 4 3 2 1

D

Pivot reinforcing rib

100mm x 15mm wear ribs

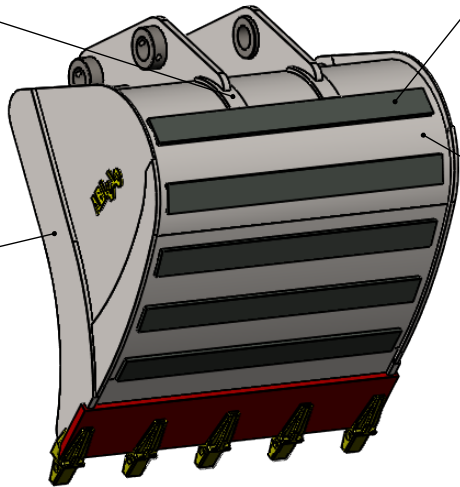


D

25mm side reinforcer

8mm rolled back

C



OEM spec pivots

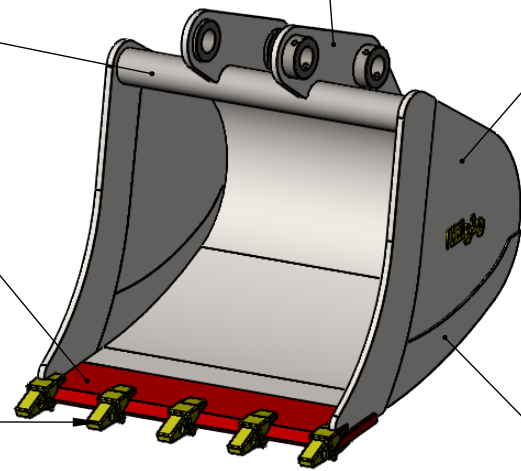
C

120mm thick wall tube top beam

8mm side plate

B

250mm x 30mm 400HB HT boron cutting edge



15mm lower side plate

B

Cat 215 teeth (others available)

Part No.	Width	Capacity	Weight
1716/18	18"/450mm	430ltr	380kg
1716/24	24"/600mm	600ltr	405kg
1716/30	30"/750mm	770ltr	455kg
1716/36	36"/900mm	940ltr	495kg
1716/42	42"/1050mm	1100ltr	560kg
1716/48	48"/1200mm	1220ltr	595kg
1716/54	54"/1350mm	1380ltr	645kg
1716/60	60"/1500mm	1520ltr	700kg

A



Unit 315 Fauld Ind. Est  
Nr Tutbury  
Burton on Trent  
Staffordshire  
DE13 9HS  
Tel: 01283 815544

DEBURR AND  
BREAK SHARP  
EDGES

DO NOT SCALE DRAWING

REVISION

TITLE: Digging buckets for  
16 to 18 ton  
excavators

DWG NO.

SAO1716asm

A4

UNLESS OTHERWISE  
SPECIFIED: DIMENSIONS  
ARE IN MILLIMETERS

MATERIAL:

NAME DATE

DRAWN

James Walker 26/04/2018

WEIGHT:

SCALE:1:25

SHEET 1 OF 2

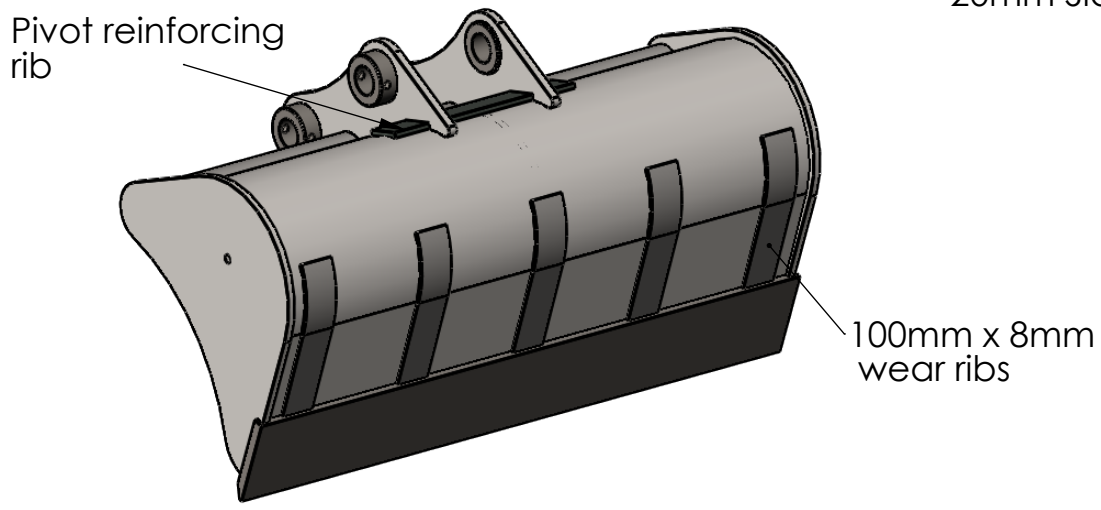
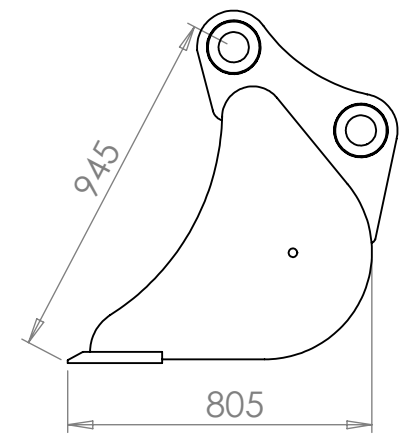
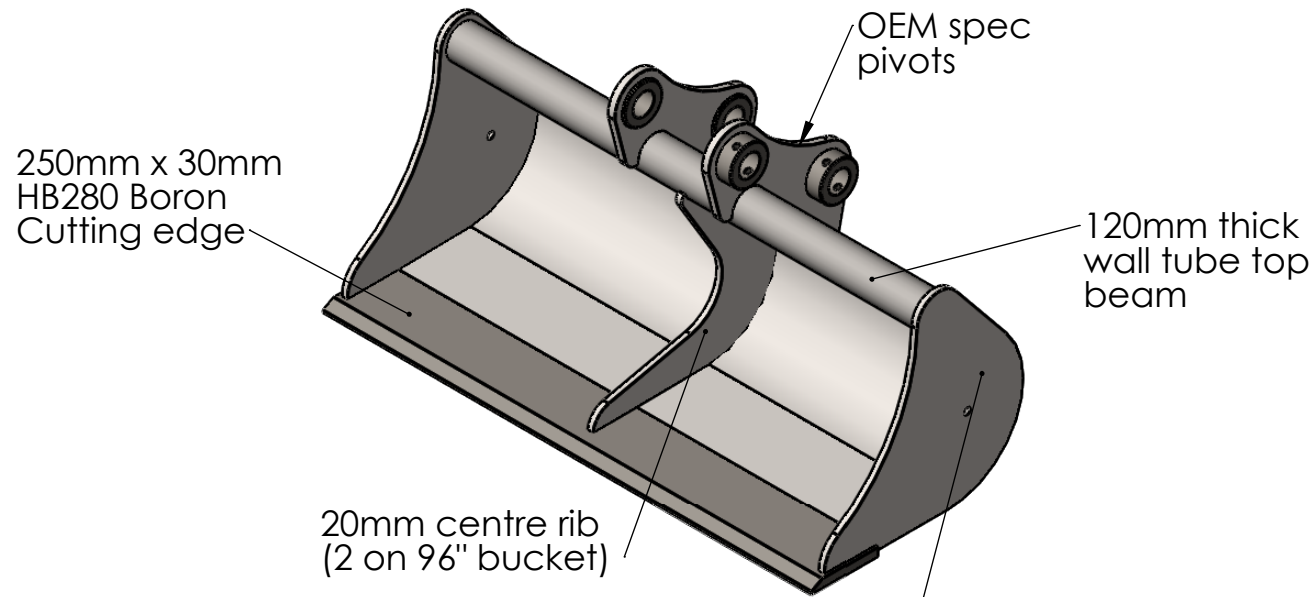
A

6 5 4 3 2 1

6 5 4 3 2 1

D  
C  
B  
A

D  
C  
B  
A



Part No:	width	Capacity	weight
297/72	72"/1800mm	750ltr	515kg
297/84	84"/2100mm	880ltr	572kg
297/96	96"/2400mm	1010ltr	665kg



Unit 315 Fauld Ind. Est  
Nr Tutbury  
Burton on Trent  
Staffordshire  
DE13 9HS  
Tel: 01283 815544

DEBURR AND BREAK SHARP EDGES		DO NOT SCALE DRAWING		REVISION	
MATERIAL:					
UNLESS OTHERWISE SPECIFIED: DIMENSIONS ARE IN MILLIMETERS		NAME		DATE	
DRAWN	James Walker		26/04/2018		

TITLE: Grading buckets for 16 to 18 ton excavatorS		DWG NO. SAO297		A4	
WEIGHT:		Scale: 1:20		SHEET 2 OF 2	

6 5 4 3 2 1