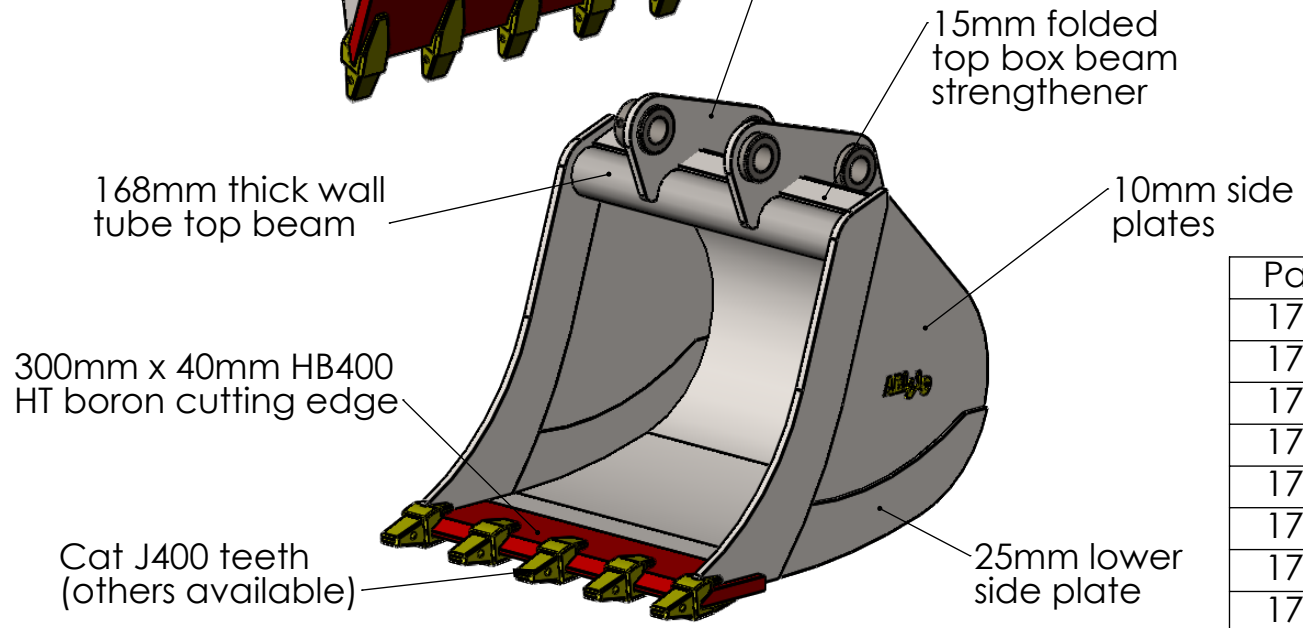
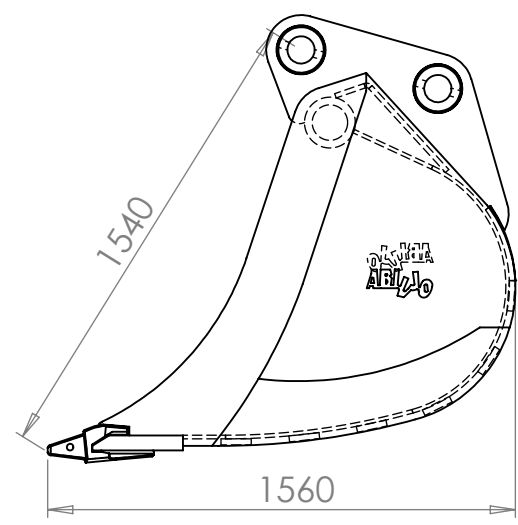
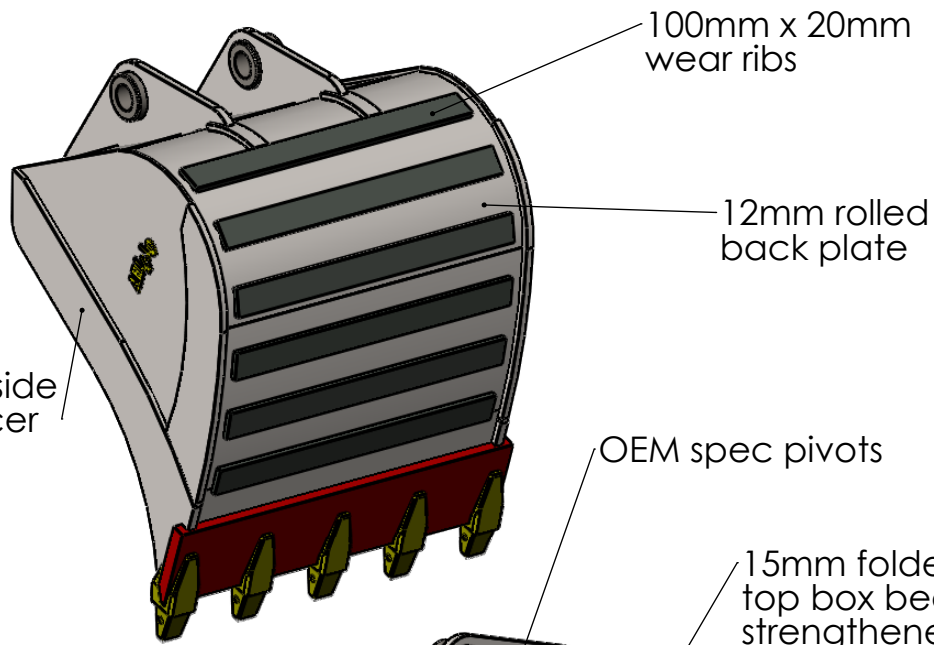


6 5 4 3 2 1

D
C
B
A

D
C
B
A



Part No.	width	Capacity	weight
1726/24	24"/600mm	670ltr	715kg
1726/30	30"/750mm	880ltr	804kg
1726/36	36"/900mm	1090ltr	908kg
1726/42	42"/1050mm	1300ltr	991kg
1726/48	48"/1200mm	1510ltr	1075kg
1726/54	54"/1350mm	1720ltr	1172kg
1726/60	60"/1500mm	1940ltr	1255kg
1726/66	66"/1650mm	2150ltr	1340kg
1726/72	72"/1800mm	2360ltr	1450kg



Unit 315 Fauld Ind. Est
Nr Tutbury
Burton on Trent
Staffordshire
DE13 9HS
Tel: 01283 815544

DEBURR AND
BREAK SHARP
EDGES

UNLESS OTHERWISE
SPECIFIED: DIMENSIONS
ARE IN MILLIMETERS

DO NOT SCALE DRAWING REVISION

MATERIAL:

NAME	DATE
James Walker	25/04/2018

DRAWN

TITLE: Digging buckets for
26 to 30 ton
excavators

WEIGHT:

DWG NO.
1726-asm

A4

SCALE:1:20

SHEET 1 OF 1

6 5 4 3 2 1

A