

6

5

4

3

2

1

D

D

C

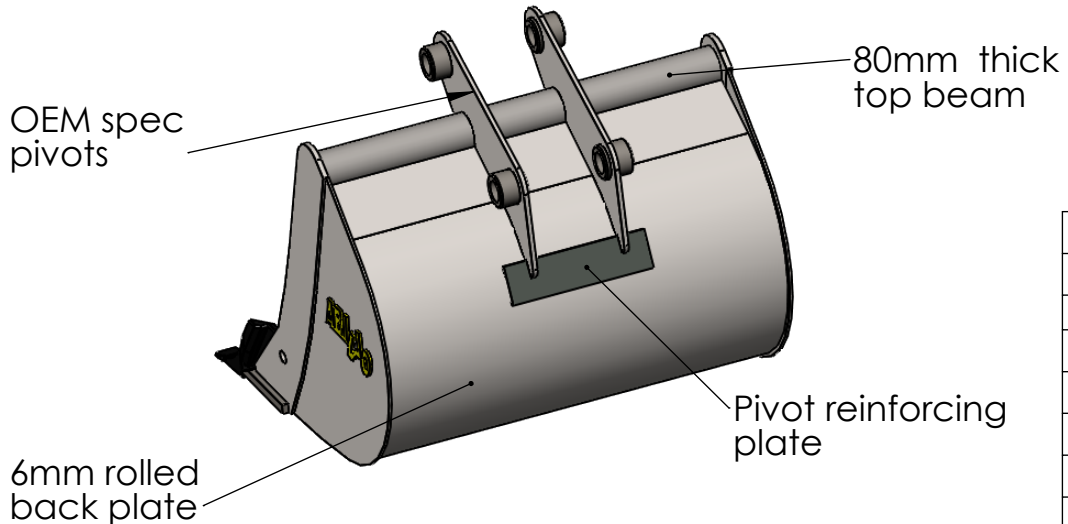
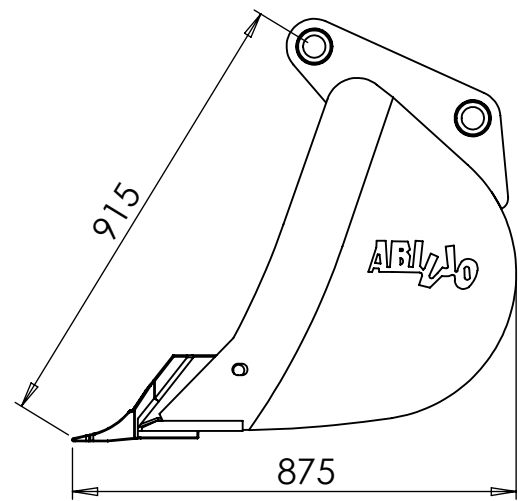
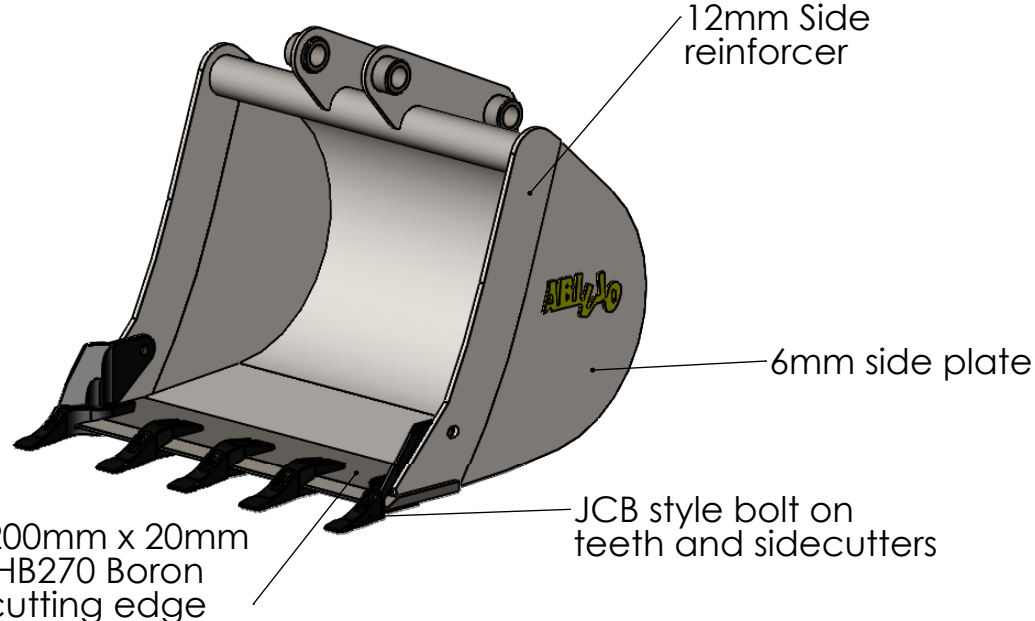
C

B

B

A

A



Part No.	Width	Capacity	Weight
1706/9	9"/230mm	70ltr	88kg
1706/12	12"/300mm	100ltr	99kg
1706/18	18"/450mm	170ltr	118kg
1706/24	24"/600mm	230ltr	136kg
1706/30	30"/750mm	290ltr	158kg
1706/36	36"/900mm	350ltr	172kg
1706/42	42"/1050mm	420ltr	190kg
1706/48	48"/1200mm	480ltr	220kg



Unit 315 Fauld Ind. Est
Nr Tutbury
Burton on Trent
Staffordshire
DE13 9HS
Tel: 01283 815544

DEBURR AND
BREAK SHARP
EDGES

UNLESS OTHERWISE
SPECIFIED: DIMENSIONS
ARE IN MILLIMETERS

DO NOT SCALE DRAWING REVISION

MATERIAL:

NAME	DATE
James Walker	26/04/2018

DRAWN

TITLE: Digging buckets for 4 to 6 ton excavators and backhoe loaders

WEIGHT:

DWG NO. 1706-ASM

A4

SCALE:1:20

SHEET 1 OF 2

6

5

4

3

2

1

6

5

4

3

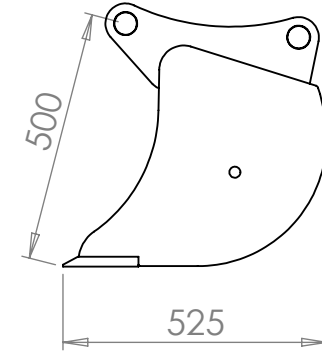
2

1

D

OEM spec pivots

6mm rolled back plate



D

C

70mm thick wall tube top beam

C

B

10mm side plate

B

150mm x 20mm HB280 Boron cutting edge

10mm centre rib (2 in 72" bucket)

Part No.	Width	Capacity	Weight
002/48	48"/1200mm	200ltr	138kg
002/60	60"/1500mm	250ltr	160kg
002/72	72"/1800mm	300ltr	188kg

A



Unit 315 Fauld Ind. Est
Nr Tutbury
Burton on Trent
Staffordshire
DE13 9HS
Tel: 01283 815544

DEBURR AND BREAK SHARP EDGES

DO NOT SCALE DRAWING

REVISION

TITLE: Grading buckets for
4 to 6 ton
excavators and
backhoe loaders

DWG NO.

002-asm

A4

UNLESS OTHERWISE SPECIFIED: DIMENSIONS ARE IN MILLIMETERS

MATERIAL:

NAME DATE

DRAWN

James Walker 26/04/2018

WEIGHT:

SCALE:1:20

SHEET 2 OF 2

A

6

5

4

3

2

1