

6

5

4

3

2

1

D

D

C

C

B

B

A

A

MF style bolt on teeth and side cutters

100mm thick wall tube top beam

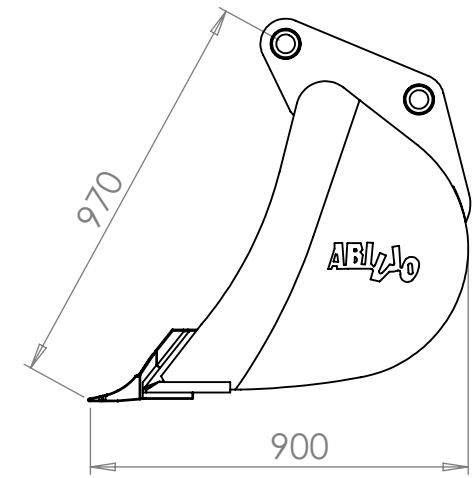
6mm side plate

200mm x 25mm HB270 Boron cutting edge

6mm rolled back

12mm side reinforcer

80mm x 8mm wear ribs



Part No.	Width	Capacity	Weight
1707/12	12"/300mm	130ltr	118kg
1707/18	18"/450mm	200ltr	140kg
1707/24	24"/600mm	280ltr	162kg
1707/30	30"/750mm	360ltr	190kg
1707/36	36"/900mm	430ltr	215kg
1707/42	42"/1050mm	510ltr	238kg
1707/48	48"/1200mm	580ltr	260kg



Unit 315 Fauld Ind. Est
Nr Tutbury
Burton on Trent
Staffordshire
DE13 9HS
Tel: 01283 815544

DEBURR AND
BREAK SHARP
EDGES

UNLESS OTHERWISE
SPECIFIED: DIMENSIONS
ARE IN MILLIMETERS

DO NOT SCALE DRAWING		REVISION
MATERIAL:		
NAME	DATE	
DRAWN	James Walker	26/04/2018

TITLE: Digging buckets for
6 to 8 ton
excavators

WEIGHT:

DWG NO.
SAO1707-asm

A4

SCALE:1:20

SHEET 1 OF 2

6

5

4

3

2

1

6

5

4

3

2

1

D

D

C

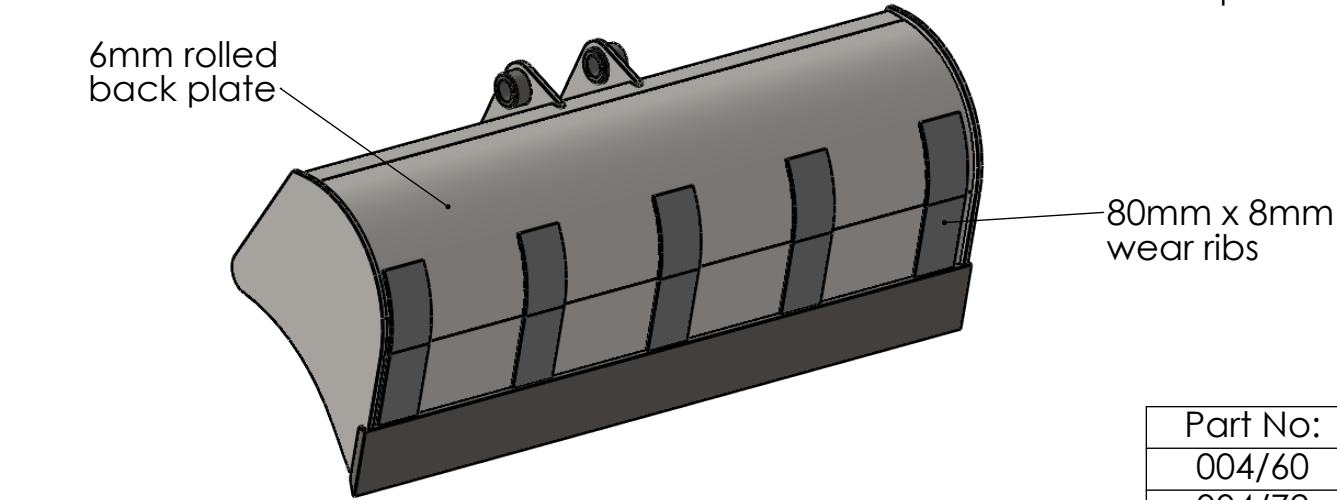
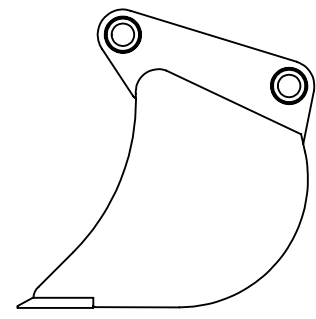
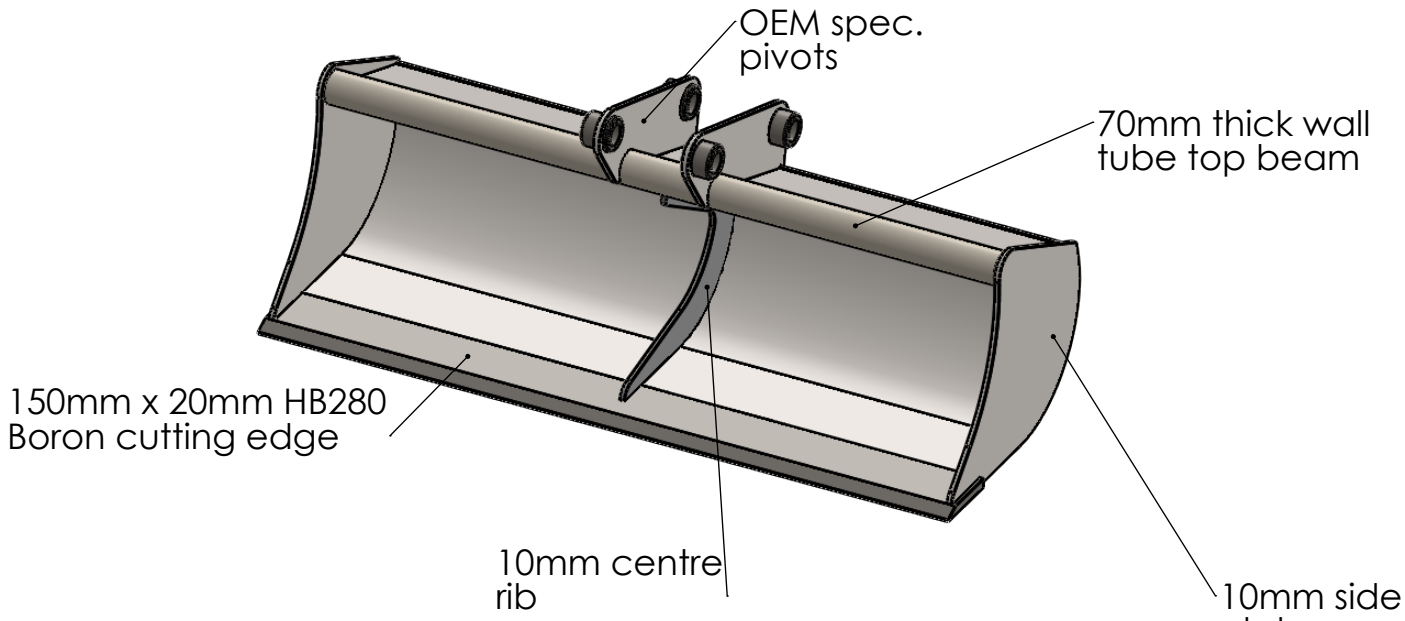
C

B

B

A

A



Part No:	Width	Capacity	Weight
004/60	60"/1500mm	280ltr	168kg
004/72	72"/1800mm	330ltr	190kg



Unit 315 Fauld Ind. Est
Nr Tutbury
Burton on Trent
Staffordshire
DE13 9HS
Tel: 01283 815544

DEBURR AND
BREAK SHARP
EDGES

UNLESS OTHERWISE
SPECIFIED: DIMENSIONS
ARE IN MILLIMETERS

DO NOT SCALE DRAWING		REVISION
MATERIAL:		
DRAWN	NAME	DATE
James Walker		26/04/2018

TITLE: Grading buckets for
6 to 10 ton
excavators

WEIGHT:

DWG NO. SAO004-Spec

Scale: 1:15

SHEET 2 OF 2

A4

6

5

4

3

2

1