

6

5

4

3

2

1

D

D

C

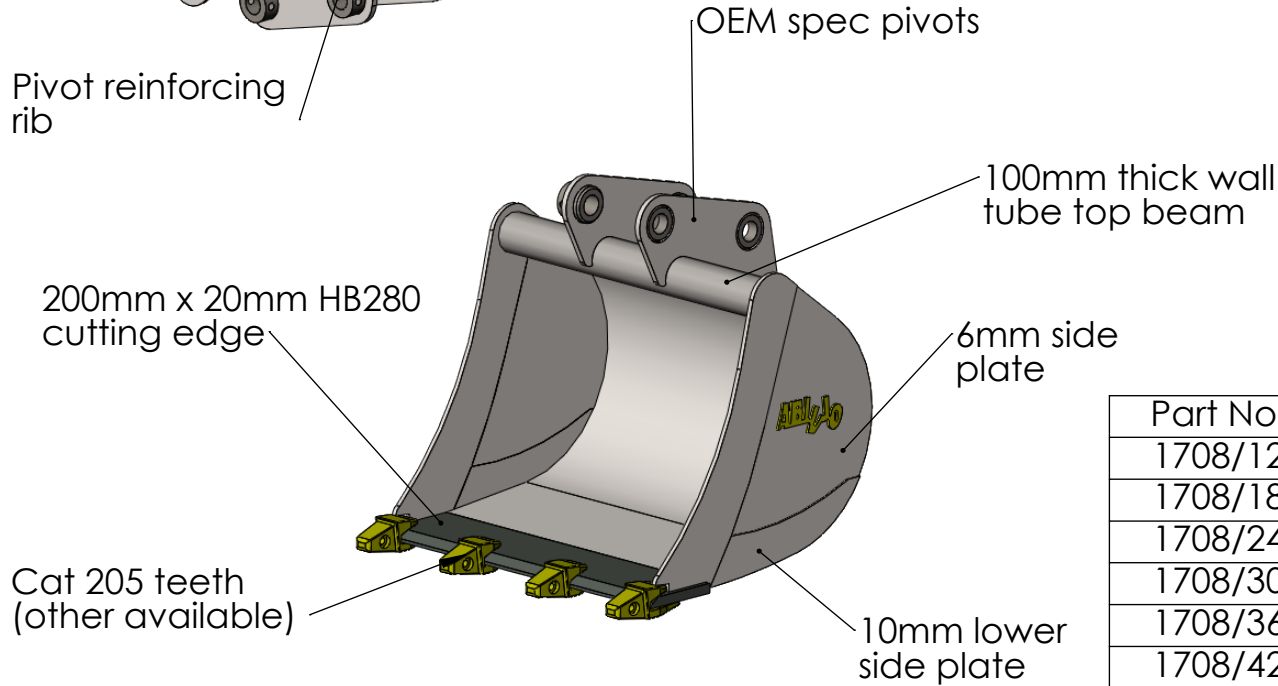
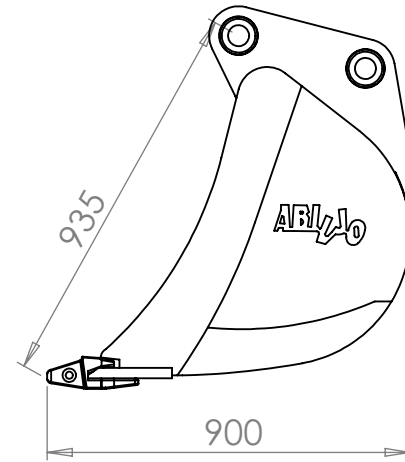
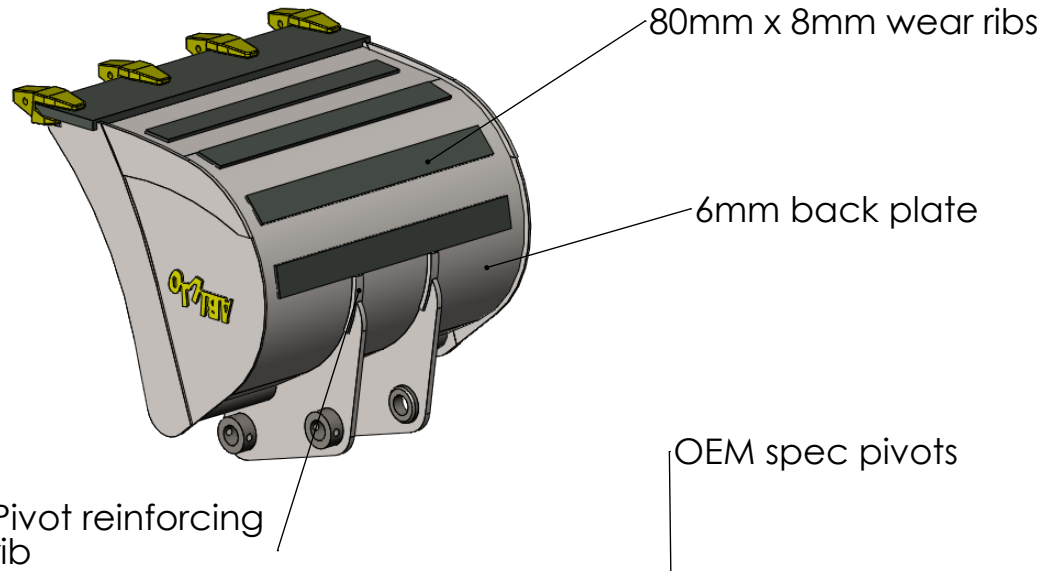
C

B

B

A

A



Part No.	Width	Capacity	Weight
1708/12	12"/300mm	130ltr	122kg
1708/18	18"/450mm	200ltr	154kg
1708/24	24"/600mm	280ltr	172kg
1708/30	30"/750mm	360ltr	199kg
1708/36	36"/900mm	430ltr	224kg
1708/42	42"/1050mm	510ltr	252kg
1708/48	48"/1200mm	580ltr	280kg



Unit 315 Fauld Ind. Est
Nr Tutbury
Burton on Trent
Staffordshire
DE13 9HS
Tel: 01283 815544

DEBURR AND
BREAK SHARP
EDGES

UNLESS OTHERWISE
SPECIFIED: DIMENSIONS
ARE IN MILLIMETERS

DO NOT SCALE DRAWING

REVISION

MATERIAL:

NAME DATE

DRAWN

James Walker 26/04/2018

TITLE: Digging buckets for
7 to 10 ton
excavators

WEIGHT:

DWG NO.

1708-asm

A4

SCALE:1:20

SHEET 1 OF 2

6

5

4

3

2

1

6 5 4 3 2 1

D

D

C

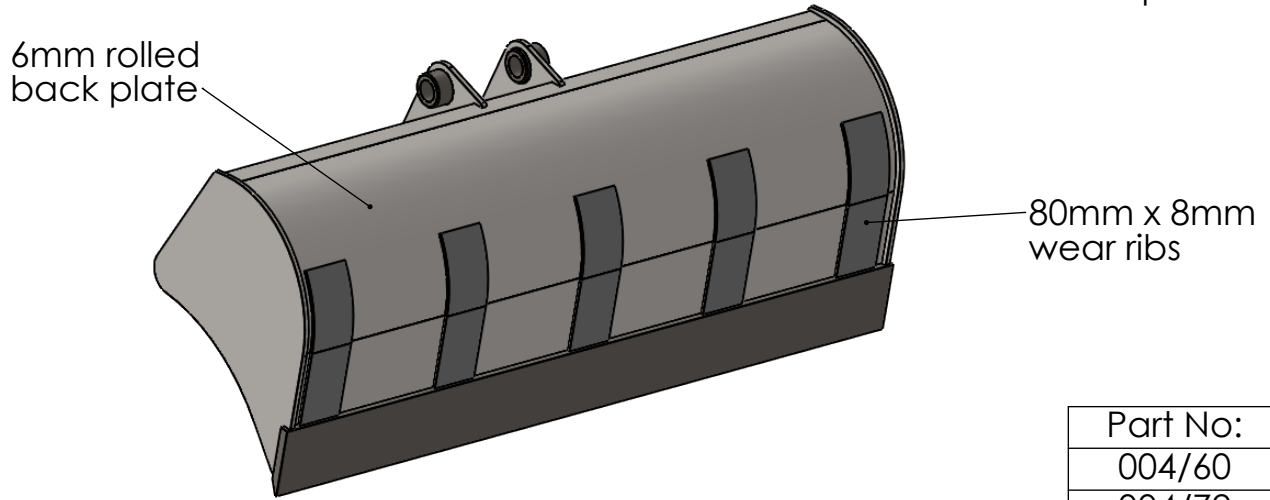
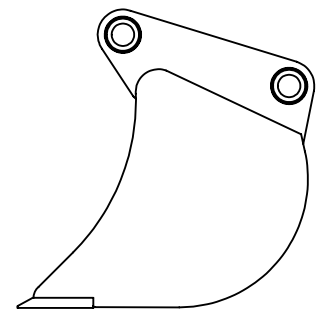
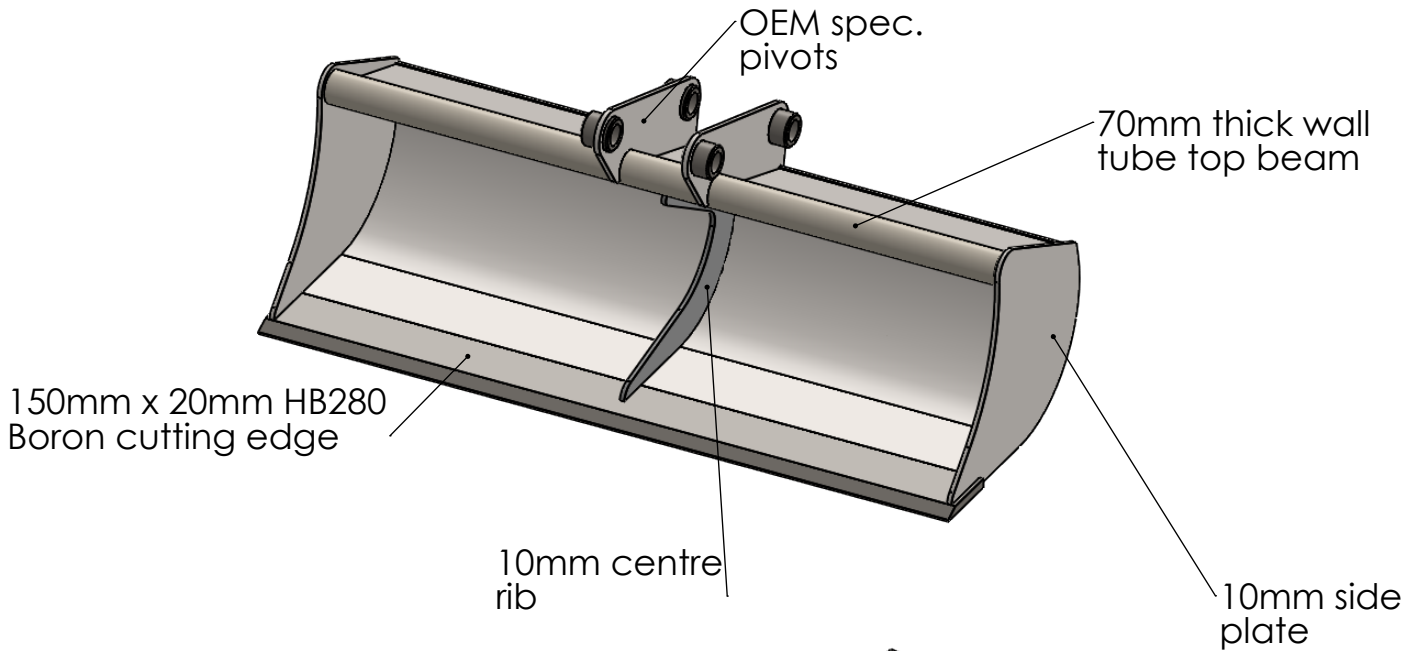
C

B

B

A

A



Part No:	Width	Capacity	Weight
004/60	60"/1500mm	280ltr	168kg
004/72	72"/1800mm	330ltr	190kg



Unit 315 Fauld Ind. Est
Nr Tutbury
Burton on Trent
Staffordshire
DE13 9HS
Tel: 01283 815544

DEBURR AND
BREAK SHARP
EDGES

UNLESS OTHERWISE
SPECIFIED: DIMENSIONS
ARE IN MILLIMETERS

DO NOT SCALE DRAWING		REVISION
MATERIAL:		
DRAWN	NAME	DATE
	James Walker	26/04/2018

TITLE: Grading buckets for
6 to 10 ton
excavators

WEIGHT:

DWG NO.
SAO004-Spec

Scale: 1:15

SHEET 2 OF 2

A4

6 5 4 3 2 1