

KNIKMOPS

KM 130



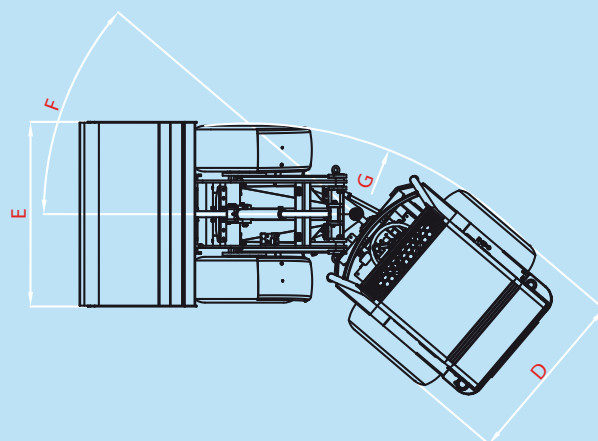
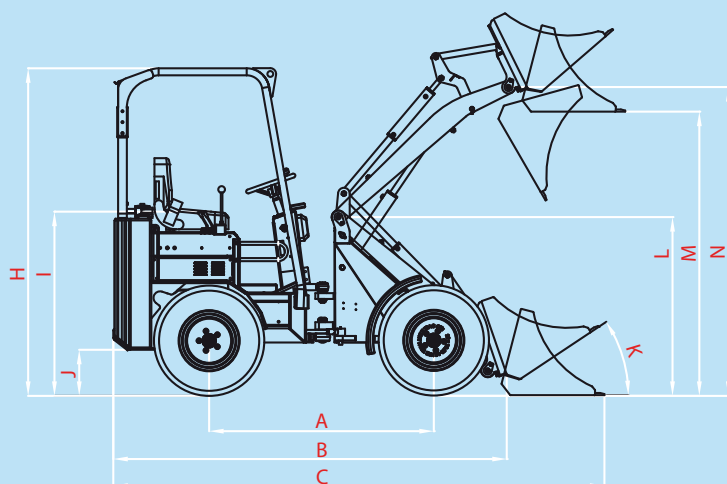
GEBROEDERS GEENS N.V. Industriezone De Kluis Hinnenboomstraat 5 B 2320 Hoogstraten
tel.:+32(0)3/314 79 30 +32(0)3/297 29 30 fax:+32(0)3/314 84 56
info@knikmops.be



www.knikmops.be

TECHNICAL SPECIFICATION

KM130



KM130 KM130H KM130TE

A	[mm]	Wheelbase	1550	1585	1550
B	[mm]	Chassis length	2710	2710	2710
C	[mm]	Total length with shovel bucket	3990	3990	3990
D	[mm]	Overall width	950/1250	950/1250	950/1250
E	[mm]	Shovel bucket width	1000/1270	1000/1270	1000/1270
F	[°]	Turning angle maximum	40	40	40
G	[mm]	Turning radius outside edge	2760	2760	2760
H	[mm]	Rollbar height / ROPS FOPS height	2170/2260	2170/2260	2170/2260
I	[mm]	Seat height	1270	1270	1270
J	[mm]	Ground clearance	315	315	315
K	[°]	Tipping-in angle from ground surface	32	30	30
L	[mm]	Frame height	1230	1465	1230
M	[mm]	Shovel height	1955	2570	1955/2715*
N	[mm]	Shovel bucket rotation point, maximum	2125	2740	2125/2885*
	[L]	Fuel tank capacity	37	37	37
		Diesel engine type (Kubota)	V1505	V1505	V1505
	[kw/hp]	Engine power	26/36	26/36	26/36
		Number of cylinders	4	4	4
		Drive hydraulics	Plungerpomp	Plungerpomp	Plungerpomp
		Wheeldrive	Plungermotor	Plungermotor	Plungermotor
	[L/min]	Output of work hydraulics	42	42	42
	[bar]	Pressure of work hydraulics	180	180	180
	[kg]	Service weight without attachment	1350	1500	1525
	[kg]	Lifting force	900	850	875
	[kg]	Breakout force	1000	950	975
	[km/h]	Topspeed	20	20	20

Telescopic arm in / Telescopic arm out*

	1	2	3	4	5	6	7
KM130 not buckled	1160	1000	850	680	1460	1200	900
with a counterweight 100 kg	1158	1158	1030	790	1463	1180	1044
KM130 30° buckled	980	740	580	440	1120	830	590
with a counterweight 100 kg	1071	962	760	573	1195	920	790
KM130TE not buckled	1160	1010	850	680	1460	1200	900
KM130TE 30° buckled	950	720	560	460	1120	710	570
KM130TE telescopic arm out	610	480	420	250	710	440	390
KM130TE out 30° buckled	530	400	330	250	610	430	320

