

KNIKMOPS

KM 170-180



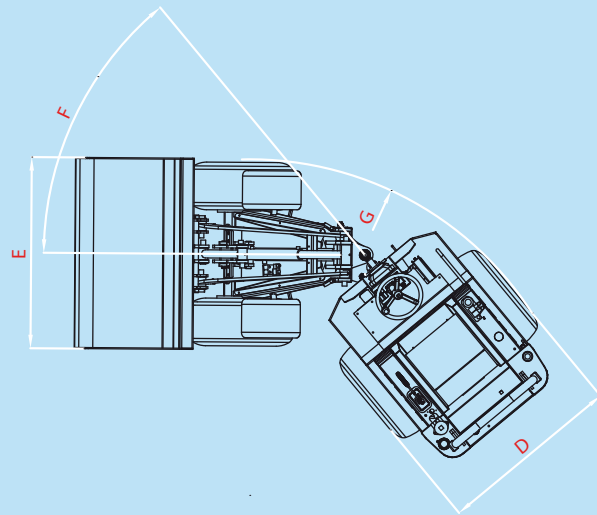
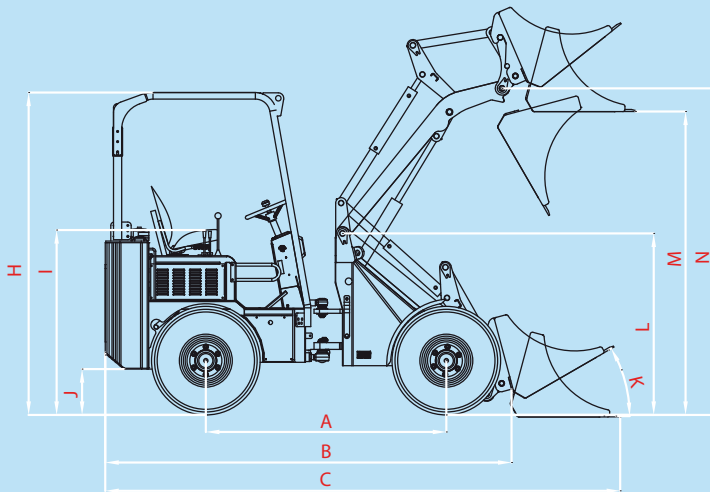
GEBROEDERS GEENS N.V. Industriezone De Kluis Hinnenboomstraat 5 B 2320 Hoogstraten
tel.:+32(0)3/314 79 30 +32(0)3/297 29 30 fax:+32(0)3/314 84 56
info@knikmops.be



www.knikmops.be

TECHNICAL SPECIFICATION

KM170-180



			KM170	KM180
A	[mm]	Wheelbase	1770	1770
B	[mm]	Chassis length	2990	2990
C	[mm]	Total length with shovel bucket	3800	3800
D	[mm]	Overall width	1135/1400	1135/1400
E	[mm]	Shovel bucket width	1400/1500	1400/1500
F	[°]	Turning angle maximum	50	50
G	[mm]	Turning radius outside edge	2760	2760
H	[mm]	Rollbar height / ROPS FOPS height	2300/2380	2300/2380
I	[mm]	Seat height	1340	1340
J	[mm]	Ground clearance	335	335
K	[°]	Tipping-in angle from ground surface	30	30
L	[mm]	Frame height	1335	1335
M	[mm]	Transfer height	2230	2230
N	[mm]	Shovel bucket rotation point, maximum	2405	2405
	[L]	Fuel tank capacity	45	45
		Diesel engine type (Kubota)	V1505	V1505T
	[kw/hp]	Engine power	26/36	33/45
		Number of cylinders	4	4
		Drive hydraulics	Plungerpomp	Plungerpomp
		Wheeldrive	Plungermotor	Plungermotor
	[L/min]	Output of work hydraulics	50	50
	[bar]	Pressure of work hydraulics	180	180
	[kg]	Service weight without attachment	1750	1800
	[kg]	Lifting force	1400	1400
	[kg]	Breakout force	1500	1500
	[km/h]	Topspeed	18	20

	1	2	3	4	5	6	7
KM170 not buckled	1700	1550	1200	900	2000	1500	1200
with a counterweight 100 kg	1700	1550	1200	950	2000	1500	1200
KM170 30° buckled	1600	1500	1000	800	2000	1300	1100
with a counterweight 100 kg	1700	1550	1150	850	2000	1450	1150
KM180 not buckled	1700	1550	1200	900	2000	1500	1200
with a counterweight 100 kg	1700	1550	1200	950	2000	1500	1200
KM180 30° buckled	1600	1500	1000	800	2000	1300	1100
with a counterweight 100 kg	1700	1550	1150	850	2000	1450	1150

