



# KNIKMOPS

# KM250



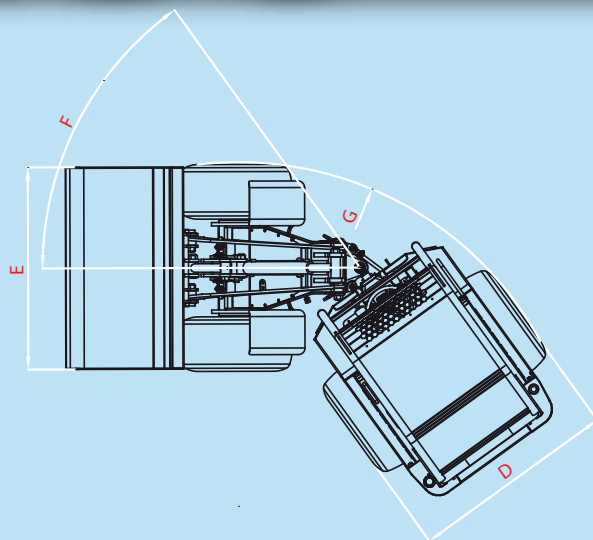
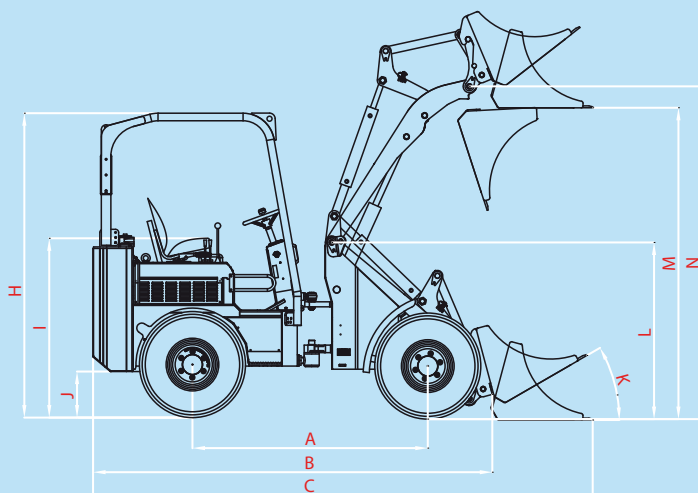
GEBROEDERS GEENS N.V. Industriezone De Kluis Hinnenboomstraat 5 B 2320 Hoogstraten  
tel.:+32(0)3/314 79 30 +32(0)3/297 29 30 fax:+32(0)3/314 84 56  
info@knikmops.be



[www.knikmops.be](http://www.knikmops.be)

# TECHNICAL SPECIFICATION

# KM250



			<b>KM250</b>	<b>KM250H</b>	<b>KM250TE</b>
<b>A</b>	[mm]	Wheelbase	1875	1875	1995
<b>B</b>	[mm]	Chassis length	3180	3400	3440
<b>C</b>	[mm]	Total length with shovel bucket	3980	4200	4270
<b>D</b>	[mm]	Overall width	1180/1520	1180/1520	1180/1520
<b>E</b>	[mm]	Shovel bucket width	1500/1700	1500/1700	1500/1700
<b>F</b>	[°]	Turning angle maximum	50	50	50
<b>G</b>	[mm]	Turning radius outside edge	2800	2800	2950
<b>H</b>	[mm]	Rollbar height / ROPS FOPS height	2220/2430	2220/2430	2220/2430
<b>I</b>	[mm]	Seat height	1425	1425	1425
<b>J</b>	[mm]	Ground clearance	360	360	360
<b>K</b>	[°]	Tipping-in angle from ground surface	30	30	30
<b>L</b>	[mm]	Frame height	1410	1715	1455
<b>M</b>	[mm]	Transfer height	2480	3020	2625/3380*
<b>N</b>	[mm]	Shovel bucket rotation point, maximum	2650	3190	2775/3550*
	[L]	Fuel tank capacity	60	60	60
		Diesel engine type (Kubota)	V2203	V2203	V2203
	[kw/hp]	Engine power	36/49	36/49	36/49
		Number of cylinders	4	4	4
		Drive hydraulics	Plungerpomp	Plungerpomp	Plungerpomp
		Wheeldrive	Plungermotor	Plungermotor	Plungermotor
	[L/min]	Output of work hydraulics	62	62	62
	[bar]	Pressure of work hydraulics	180	180	180
	[kg]	Service weight without attachment	2380	2570	2750
	[kg]	Lifting force	1800	1500	1700
	[kg]	Breakout force	1900	1600	1800
	[km/h]	Topspeed	10/20	10/20	10/20

Telescopic arm in / Telescopic arm out\*

	1	2	3	4	5	6	7
KM250 not buckled	1920	1800	1730	1600	2730	2580	2130
with a counterweight 100 kg	1920	1800	1730	1600	2730	2640	2170
KM250 30° buckled	1920	1800	1730	1550	2730	2320	2020
with a counterweight 100 kg	1920	1800	1730	1600	2730	2540	2000
KM250H not buckled	1650	1500	1300	1000	2130	2050	1800
with a counterweight 100 kg	1650	1500	1300	1000	2130	2050	1850
KM250H 30° buckled	1650	1500	1250	1000	2130	2050	1600
with a counterweight 100 kg	1650	1500	1300	1000	2130	2050	1650

