



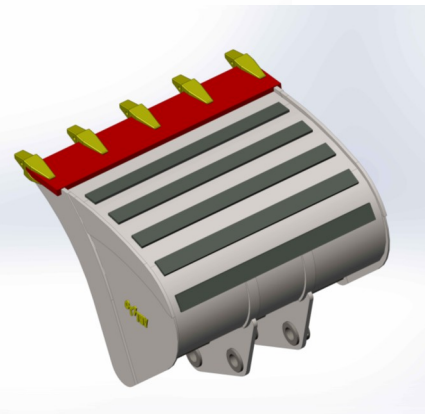
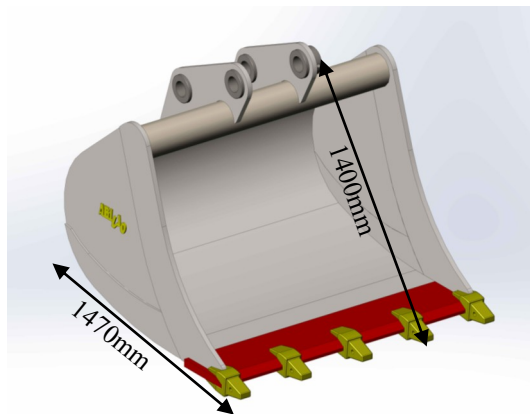
Price List 2014

Buckets suitable for 19 to 25 ton Weight excavators

Trench Buckets
Our Ref:

SAO1720

Part	Material
Side Reinforcer	25mm
Lower Side Plate	20mm
upper side plate	10mm
Back plate	10mm
Top Beam	168mm tube
Toe Plate	40mm x 300mm 400HB
Teeth	Cat 225 (Kingmet 30 optional)
Wear Ribs	15mm Horizontals

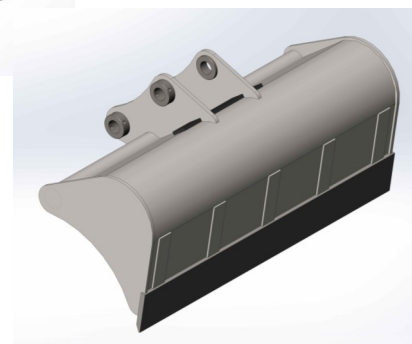
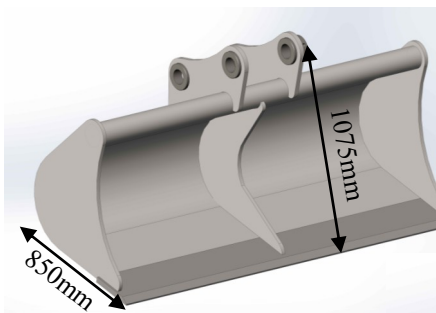


Part No.	Width (")	(mm)	Capacity	Weight	Std Price	Kingmet Price
1720/18	18"	457mm	0.42	490kg	£1,475.00	£1,600.00
1720/24	24"	610mm	0.60	548kg	£1,646.00	£1,778.00
1720/30	30"	762mm	0.78	630kg	£1,868.00	£2,000.00
1720/36	36"	914mm	0.96	705kg	£1,943.00	£2,019.00
1720/42	42"	1067mm	1.14	770kg	£2,132.00	£2,309.00
1720/48	48"	1219mm	1.32	835kg	£2,149.00	£2,326.00
1720/54	54"	1372mm	1.50	895kg	£2,307.00	£2,527.00
1720/60	60"	1524mm	1.68	935kg	£2,462.00	£2,627.00
1720/66	66"	1676mm	1.85	1070kg	£2,564.00	£2,735.00

Grading Buckets
Our Ref:

SAO 286

Part	Material
Side Plate	20mm
Centre Rib	20mm
Top Beam	120mm tube
Toe Plate	30mm x 250mm 280HB
wear ribs	10mm raps



Part No.	Width (")	(mm)	Capacity	Weight	Price	Extra for rev. Blade
286/72	72"	1829mm	0.93	600kg	£1,152.00	£249.00
286/84	84"	2134mm	1.09	630kg	£1,250.00	£288.00
286/96	96"	2438mm	1.24	740kg	£1,336.00	£330.00

Capacities are in Cubic Metres SAE heaped

F.I. Price is for bucket either without teeth,. Or with customers Free Issue teeth fitted