

6

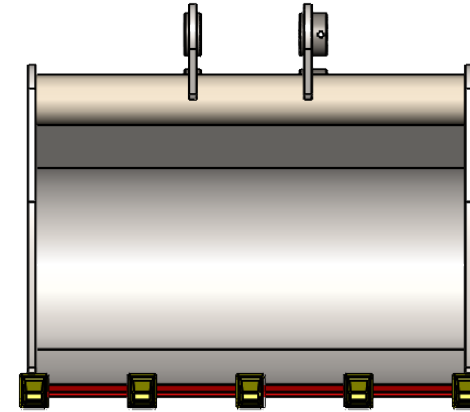
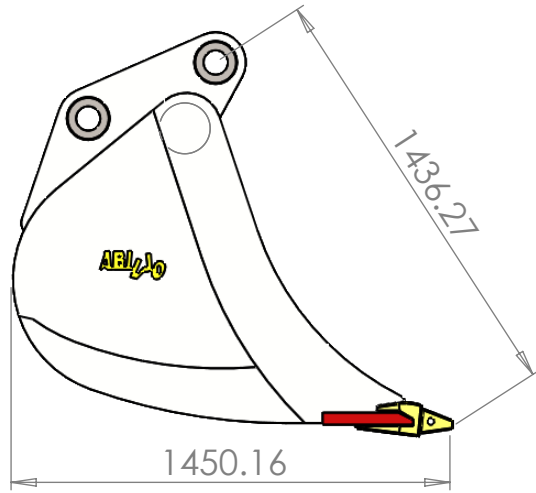
5

4

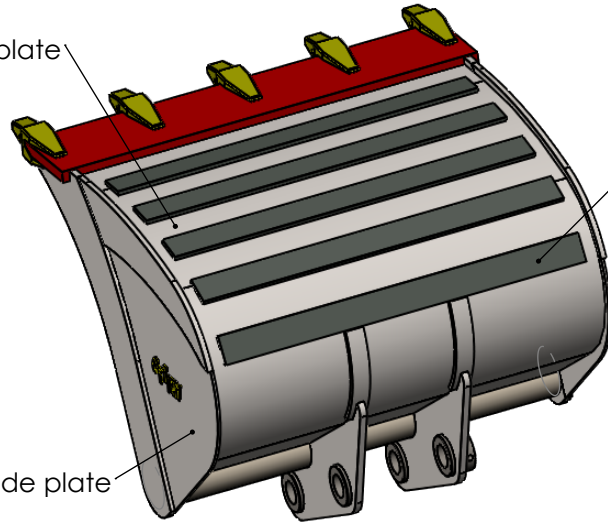
3

2

1



10mm back plate



100mm x 15mm wear ribs

10mm side plate

25mm pivot plates with OEM fittings

25mm side reinforcers

168mm x 25mm wall tube main beam

300mm x 40mm Hardox cutting edge

Cat 225 teeth as std others available on request

20mm lower side plate

A



Unit 315 Fauld Ind. Est
Nr Tutbury
Burton on Trent
Staffordshire
DE13 9HS
Tel: 01283 815544

DEBURR AND BREAK SHARP EDGES

UNLESS OTHERWISE SPECIFIED: DIMENSIONS ARE IN MILLIMETERS

DO NOT SCALE DRAWING

REVISION

MATERIAL:

NAME

DATE

DRAWN

James Walker

02/03/2017

TITLE:

19 to 25 ton digging buckets

DWG NO.

SAO1720

WEIGHT:

SCALE:1:25

SHEET 1 OF 1

A4

6

5

4

3

2

1

A